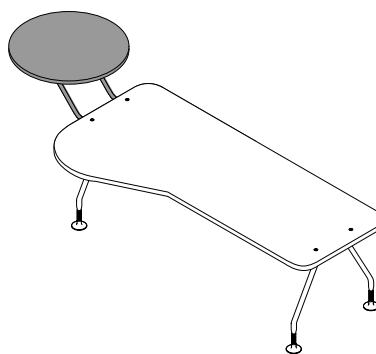
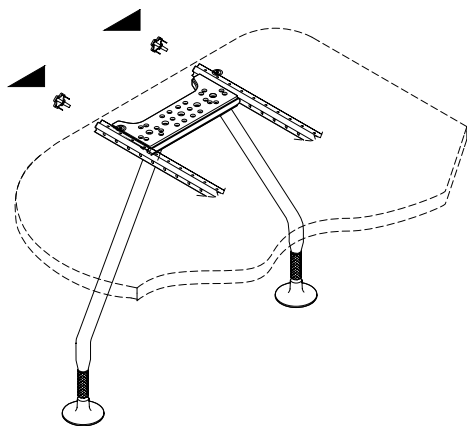


# Ad Hoc



2003, Art.-No. 710 210 14

**vitra.**

**A**

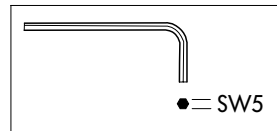
2x

**C**

1x



8x

M6x20  


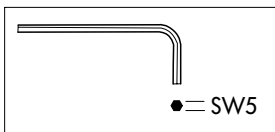
● = SW5

**B**

2x



4x

M6x12  


● = SW5

