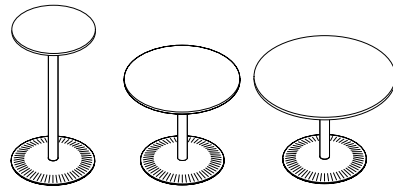
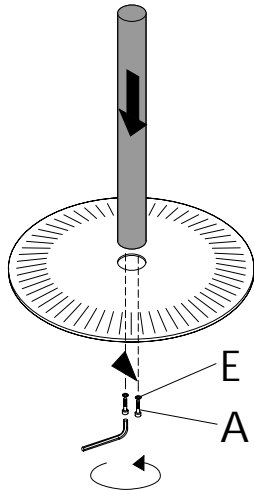
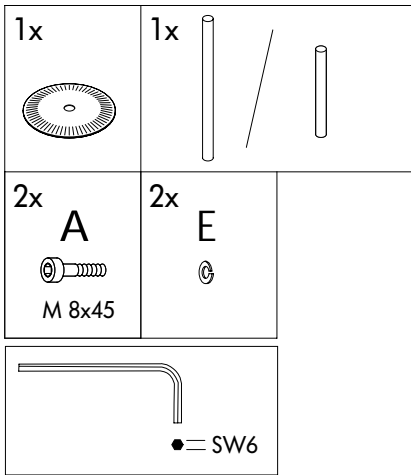
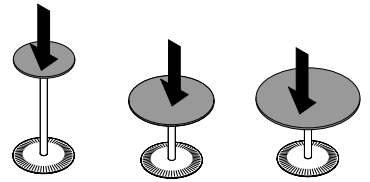
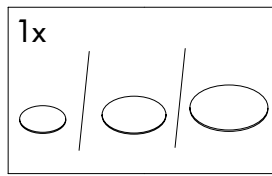
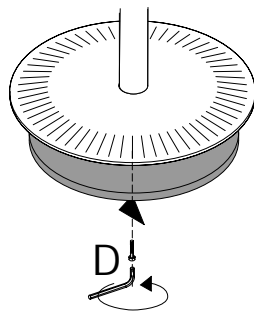
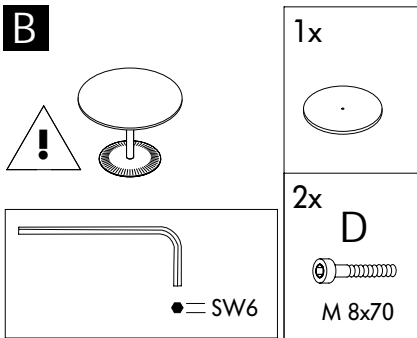
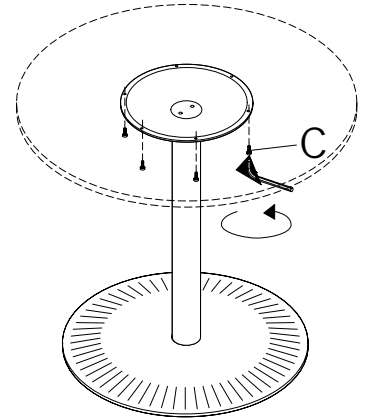
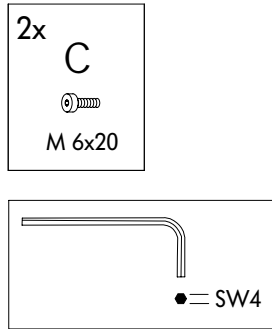


# Metropol



**A****D****B****E****C**