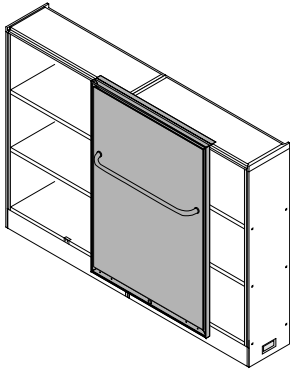
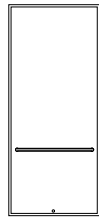
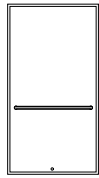
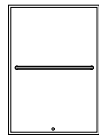
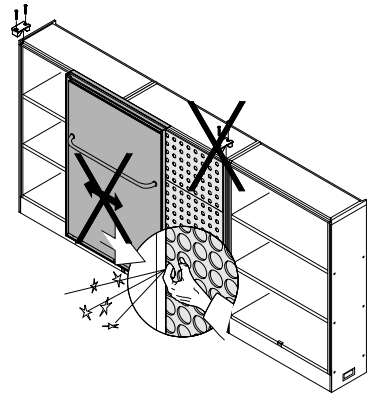
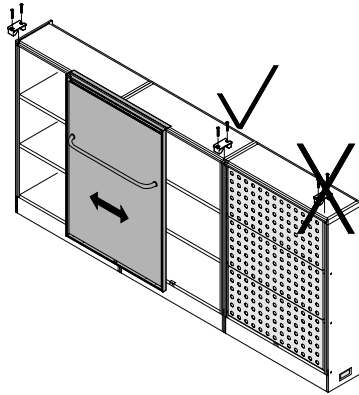
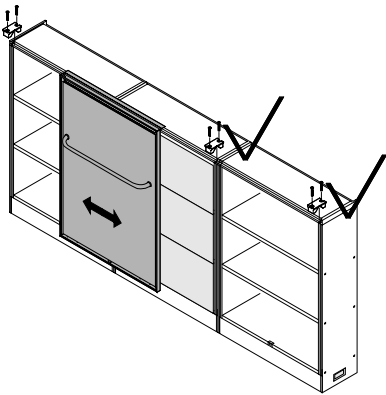
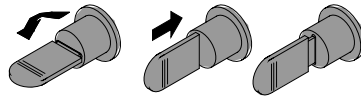
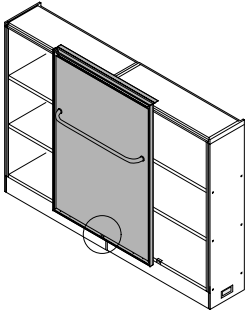
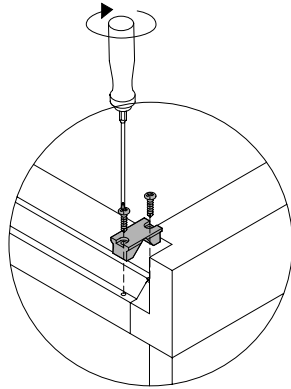
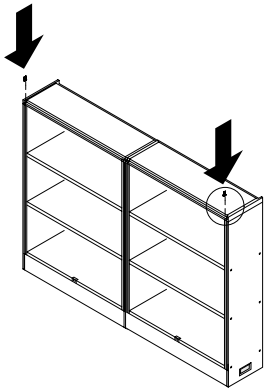


# Storage Wall



**A**

?

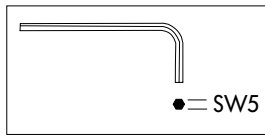
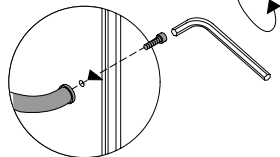
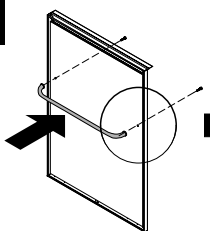
**B****C****D**

2x



4x

B 4,2x19

**E**

● = SW5

1x



1x



2x

M6x20

**F**