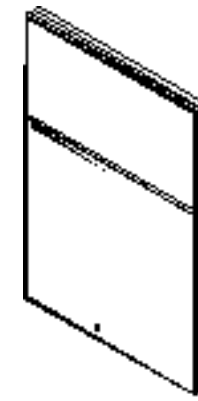
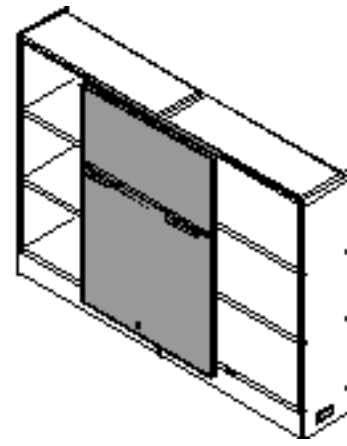
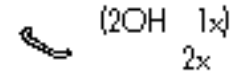


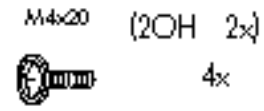
# Storage Wall



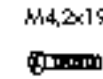
1x



(2OH 1x)  
2x



M4x20 (2OH 2x)  
4x

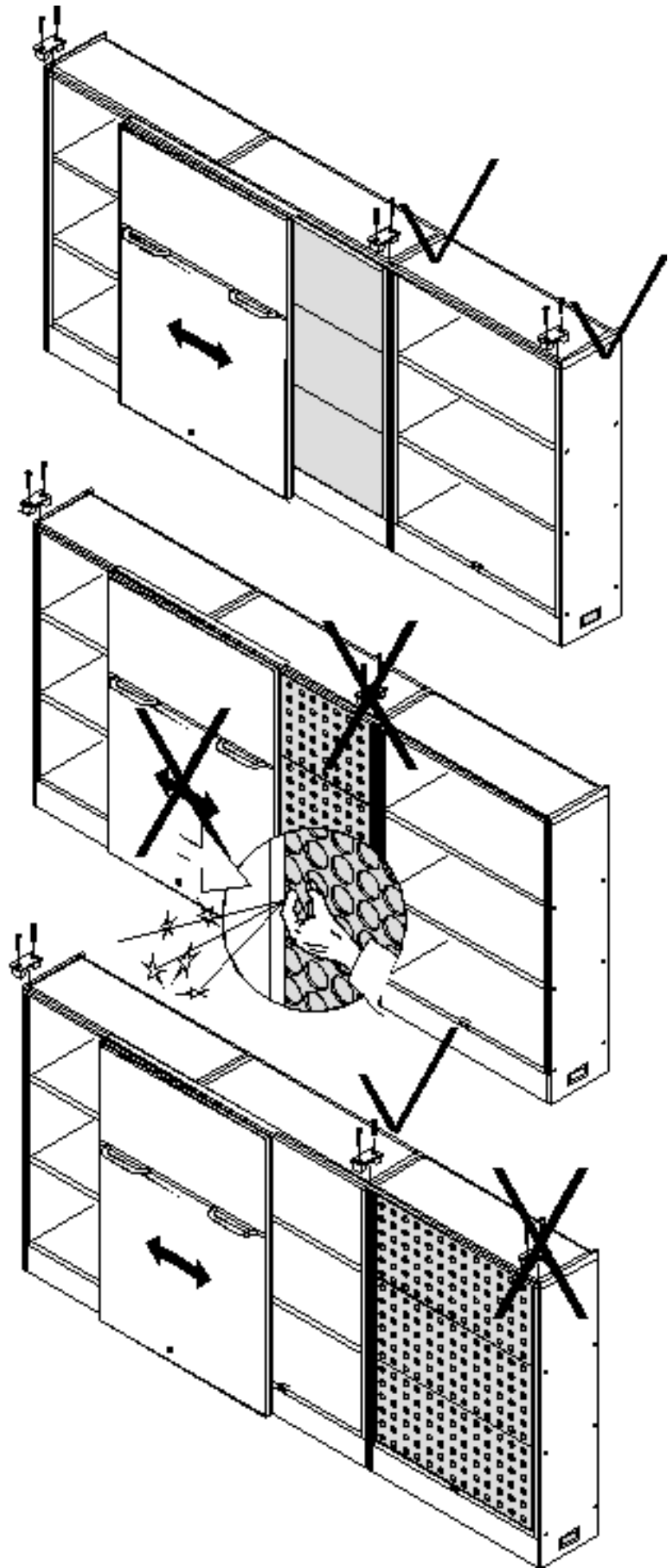


M4,2x19  
4x



2x





1



M4,2x19



2



M4x20



3

