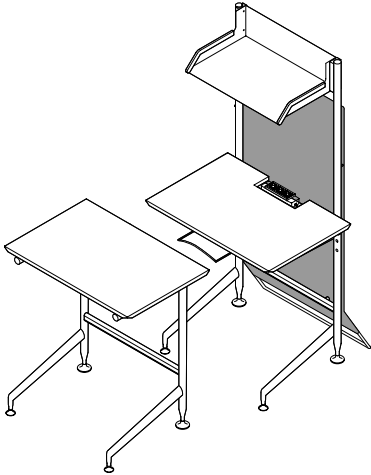
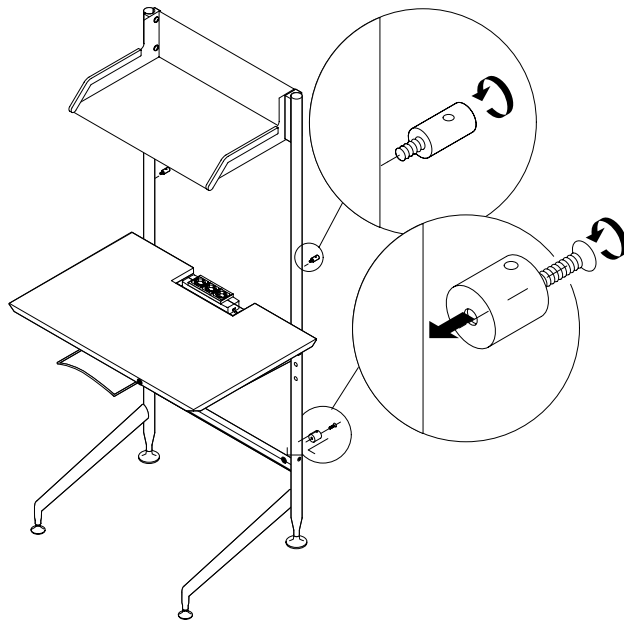


Mobile Elements



A

2x



2x

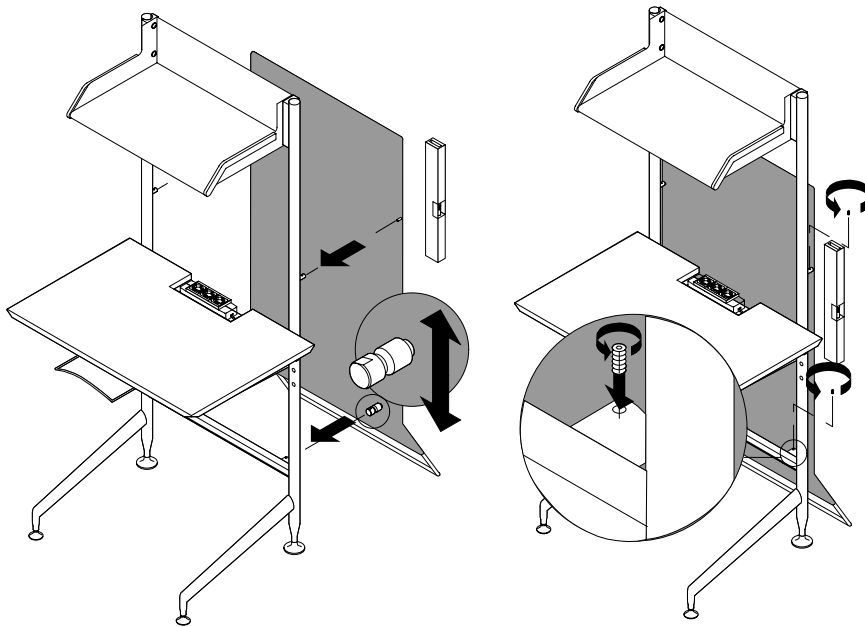
M6x20



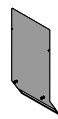
2x



● = SW4

B

1x



4x

**C**