

Electrification



vitra.



It is impossible to imagine today's modern working world without the presence of electronic devices. In recognition of this indispensable role, Vitra offers a wide range of electrification solutions for its furniture systems. Electrification can be integrated into the table top, routed underneath or mounted on top of the work surface, or attached to the table edge. Excess cable lengths can be neatly stowed in wire baskets and the individual cables can also be routed out of sight via cable channels.

Table of contents

- 4 - 41 Built-in electrification
- 42 - 49 Desktop-mounted electrification
- 50 - 57 Accessories
- 58 - 63 Additional information



Built-in electrification



Doppio



Aletta



Flap



Port 120



Port 180



Port 260



Punto High



Evoline Circle 80



Punto Wireless Charger



Cable outlet



Doppio is a cable flap made of powder-coated aluminium (recycled content up to 95%). The dual-access flap opens from both sides, making it an ideal solution for meeting tables. The table top remains free of bothersome cabling, while sockets are hidden from view and excess cable is stored in cable baskets.

When the flap is closed, cables can be routed through the slit to the desktop. The flap is equipped with a soft-close mechanism and can be removed entirely to allow full access to the electrification.



Variants



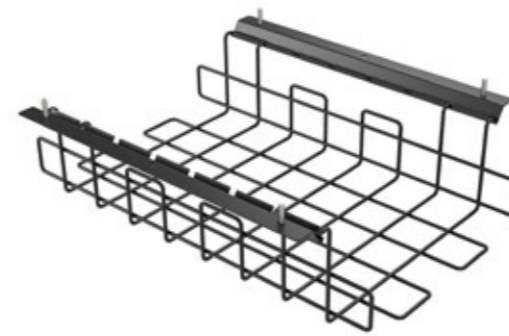
Doppio powder-coated in deep black



Doppio powder-coated in soft light

Doppio (standard)			
Joyn 2 Plattform / Joyn 2 Meet	Tyde 2 Meeting	Eames Segmented Tables	MedaMorph
•	•	•	•
Possible use with other products on request. Please contact your Vitra representative.			

Accessories



Doppio cable basket

Cable basket made of steel wire with a diameter of 4 mm, powder-coated in deep black. Cable baskets are suspended between two rails and hooked into place without the use of any tools. The sheet steel rails with a powder-coated finish in deep black are screwed directly to the table top. Sockets are secured in the cable basket using hook-and-eye fasteners.

Dimensions H 78 x W 440 x D 284 mm.



Aletta cable tray (large)

Cable tray made of perforated sheet steel with slits, in colour basic dark; the tray holds excess cable lengths. In combination with Doppio, sockets are attached to the cable tray using hook-and-loop fasteners; the slits in the tray define the position of the sockets.

Dimensions H 25-40 x W 500 x D 240 mm.



Tens Kit 4 power outlet unit

4-socket power outlet unit made of black plastic and aluminium with a stainless-steel look for direct attachment to cable basket, with a GSTi8 input and output connection at either end. Feed cables, connecting cables and patch cables must be ordered separately. Unit can be individually configured with sockets for power, RJ45 (2x), HDMI/USB and VGA with 3,5 mm jack. Please note country-specific variations.



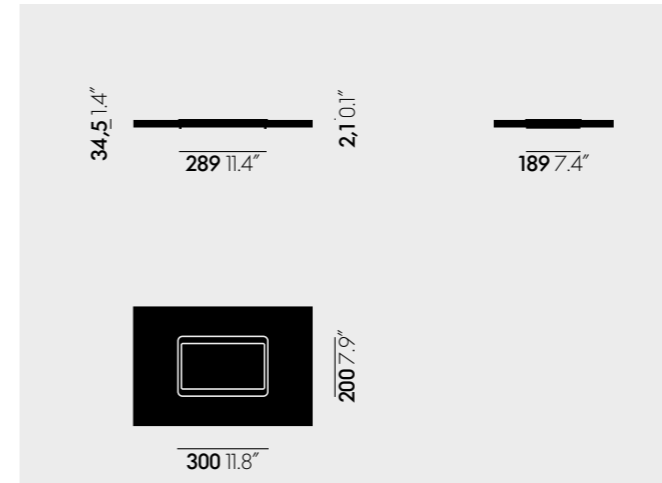
Current Power 4 power outlet unit

4-socket power outlet unit made of black plastic for direct attachment to cable basket, with a GSTi8 input and output connection at either end. Feed cables and connecting cables must be ordered separately. Unit can be individually configured with sockets for power or USB A/C chargers (rated power output A: 18 watts, C: 18 watts and combined: 15 watts). Please note country-specific variations.

Doppio – all components at a glance



Dimensions



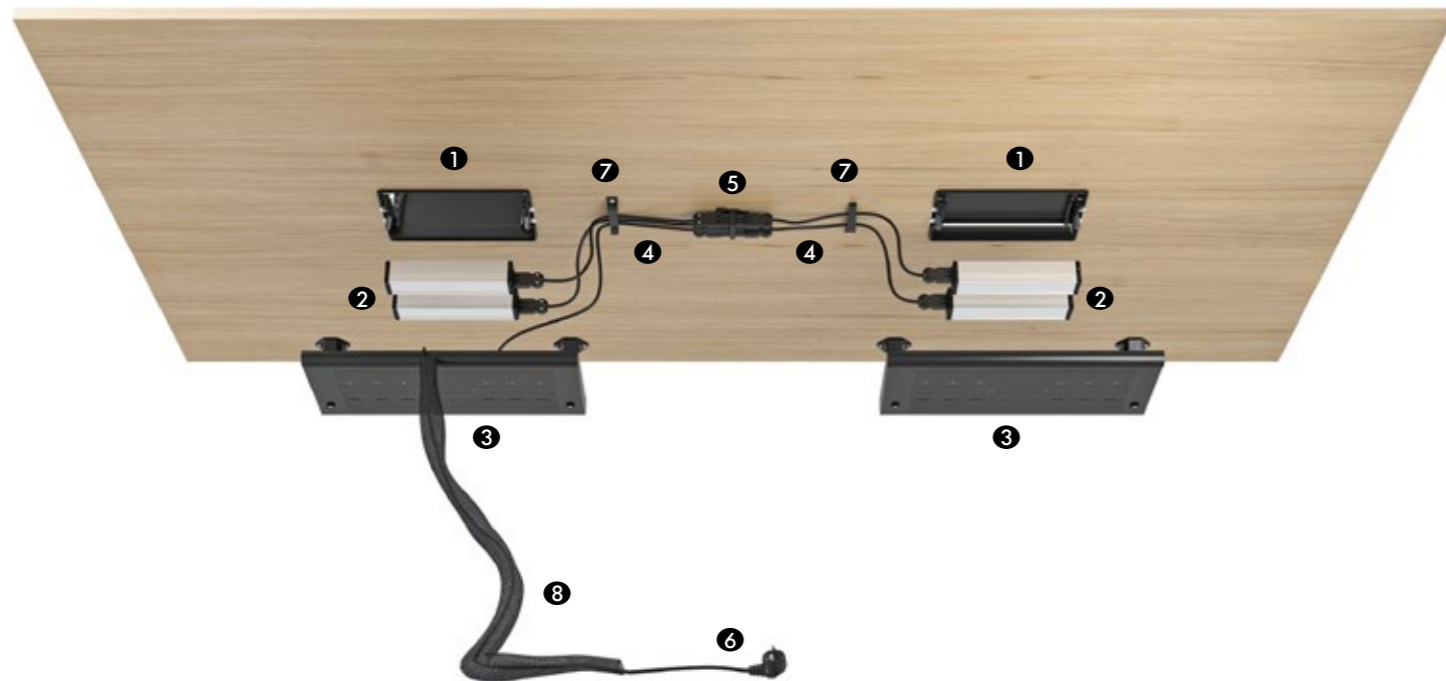
Doppio

For use on table tops measuring 22–30 mm in thickness.

Electrification example – 2x Doppio

- | | | | |
|---|-------------------------|---|--------------------|
| 1 | Doppio | 5 | Distribution block |
| 2 | Tens Kit 4 outlet strip | 6 | Feed cable |
| 3 | Aletta cable tray large | 7 | Cable clip |
| 4 | Connecting cable | 8 | Cable net |

For country-specific electrification versions, please see page 60 onwards.





The Aletta cable flap is embedded flush into the table – in the same material as the rest of the table top. Thanks to the damping mechanism of the polished die-cast aluminium supports, the Aletta flap closes gently and without noise.

The Tens Aletta outlet strips can be integrated without the use of tools, while excess cable lengths are held in the cable tray. Thanks to a slit, cables can be routed to the desktop even when the flap is closed.

Variants



Aletta in solid wood table top



Aletta in MDF table top

Applications

Aletta (standard)

Joyn 2 Platform Meet / Joyn 2 Meet	Tyde 2 Meeting	Eames Segmented Tables	MedaMorph
•	•	•	•
Possible use with other products on request. Please contact your Vitra representative.			

Accessories



Aletta cable tray (small and large)

Cable tray made of perforated sheet steel with slits, in colour basic dark; the tray holds excess lengths of cable. Can be used in the small or large version depending on the space available beneath the table. Dimensions of large cable tray: H 25-40 x W 500 x D 240 mm, dimensions of small cable tray: H 25-40 x W 330 x D 370 mm.



Tens Aletta outlet

4-socket power outlet unit made of black plastic and aluminium with a stainless-steel look for tool-free attachment to the Aletta cable flap with a 10 cm cable at the back with GST18 plug connector. Feed cables, connecting cables and patch cables must be ordered separately. Unit can be individually configured with sockets for power, USB A/C chargers (rated power output A: 18 watts, C: 22 watts and combined: 17.5 watts), RJ45 (2x), HDMI/USB and VGA with 3,5 mm jack. Please note country-specific variations.

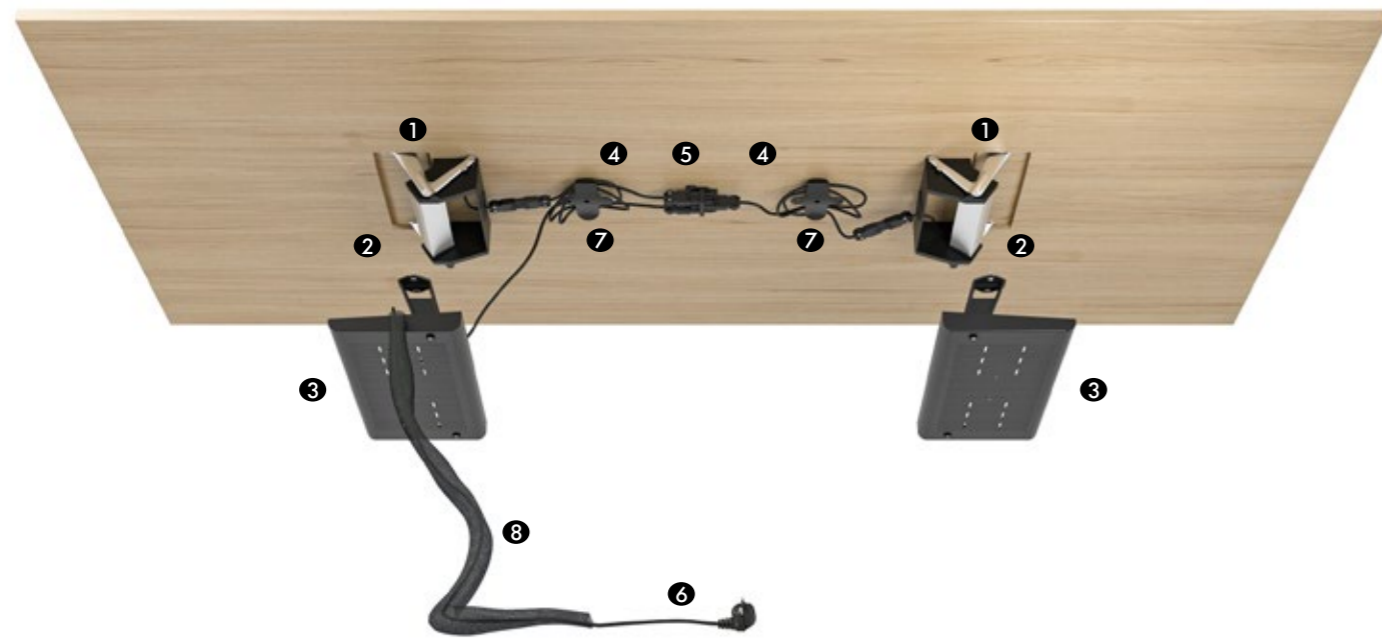
Aletta – all components at a glance



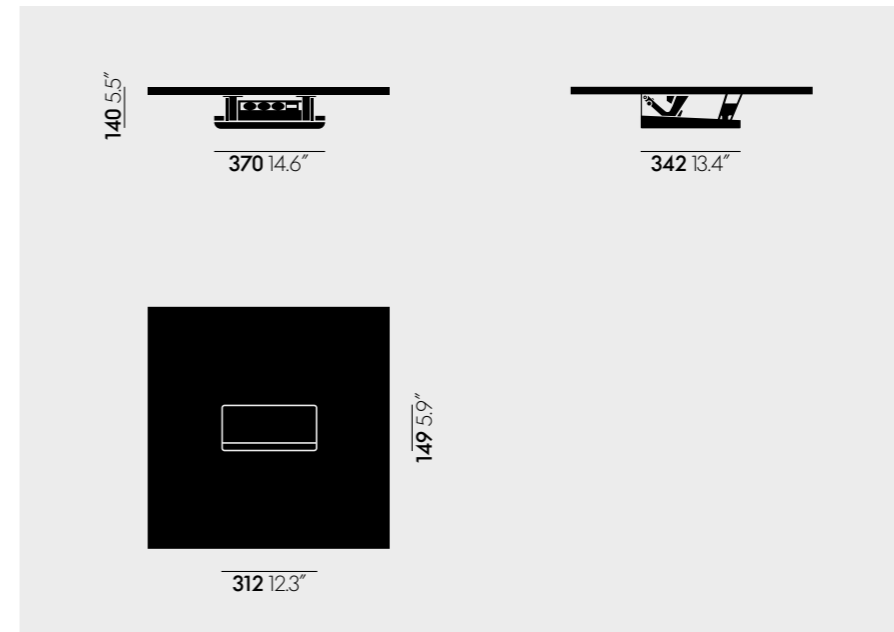
Electrification example – 2x Aletta

- | | | | |
|---|--------------------------|---|--------------------|
| 1 | Aletta | 5 | Distribution block |
| 2 | Tens Aletta outlet strip | 6 | Feed cable |
| 3 | Aletta cable tray large | 7 | Cable clip |
| 4 | Connecting cable | 8 | Cable net |

For country-specific electrification versions, please see page 60 onwards.

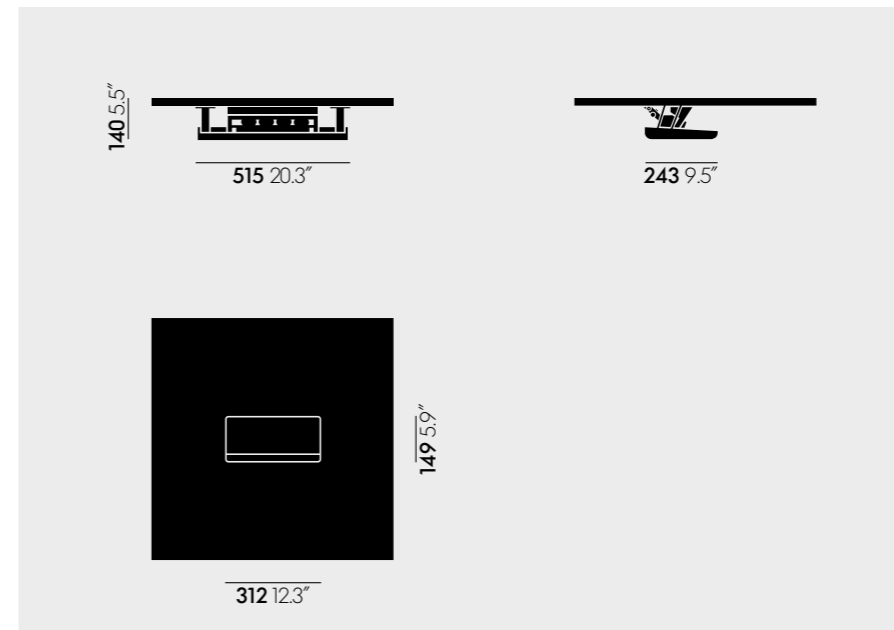


Dimensions



Aletta with small cable tray

For use on table tops measuring 25 mm in thickness.



Aletta with large tray

For use on table tops measuring 25 mm in thickness.



The simple, economical Flap cable flap made of robust PC-ABS plastic in soft light was developed as a universal solution for all table surfaces.

Cables can be routed to the desktop through a discreet opening even when the flap is closed. The Tens Flap swivel socket is installed without tools and can be optionally supplemented with a cable tray.

Variants



Flap in melamine table top in soft light

Flap (standard)

WorkIt Meeting

Possible use with other products on request. Please contact your Vitra representative.

Accessories



Tens Flap

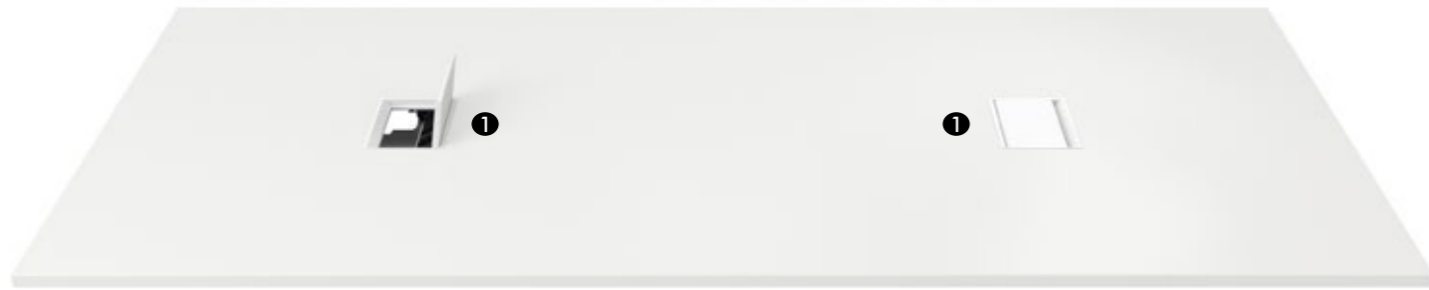
3-socket power outlet unit with an aluminium profile in a silver anodised finish for tool-free attachment to the cable flap, with a GST18 input and output connection at either end. Feed cables, connecting cables and patch cables must be ordered separately. Unit can be rotated 65° for easier access and individually configured with sockets for power, USB A/C chargers (rated power output A: 18 watts, C: 22 watts and combined: 17.5 watts), RJ45 (2x), HDMI/USB and VGA with 3,5 mm jack. Please note country-specific variations.



Flap cable tray

Cable tray made of grey plastic. The tray is optional and can be installed without tools in conjunction with the Tens Flap swivel socket. Dimensions H 80 x W 300 x D 200 mm.

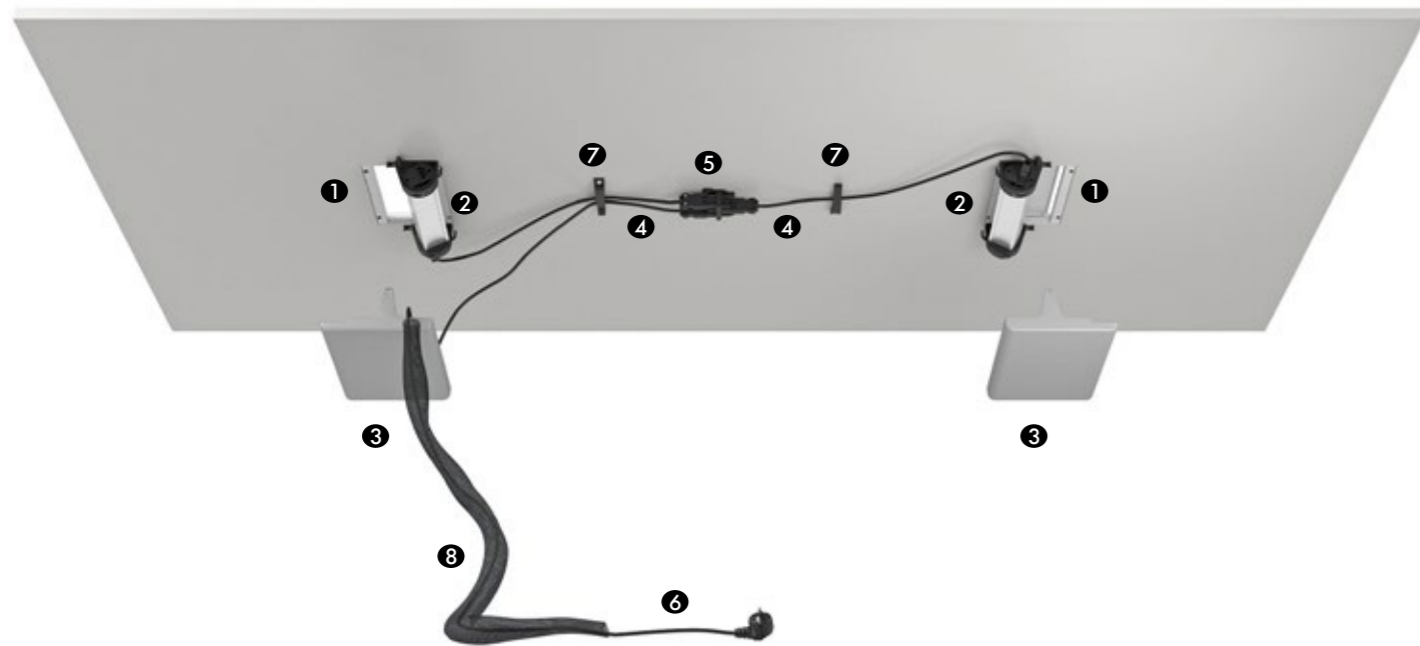
Flap – all components at a glance



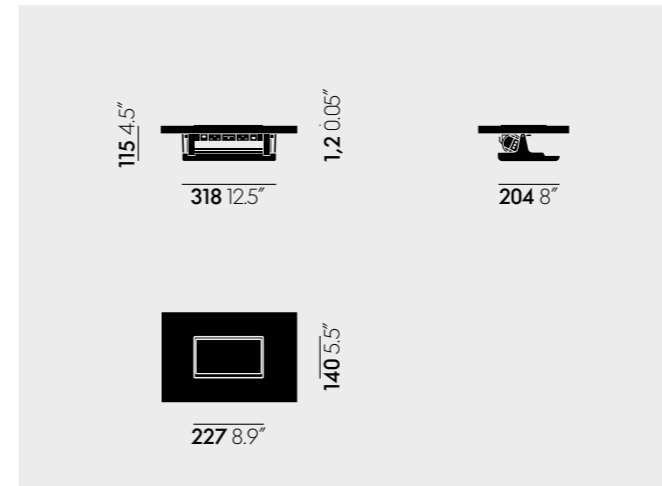
Electrification example – 2x Flap

- | | | | |
|---|------------------|---|--------------------|
| 1 | Flap | 5 | Distribution block |
| 2 | Tens Flap | 6 | Feed cable |
| 3 | Flap cable tray | 7 | Cable clip |
| 4 | Connecting cable | 8 | Cable net |

For country-specific electrification versions, please see page 60 onwards.



Dimensions



Flap

For use on table tops measuring 19–25 mm in thickness.



Port is a high-quality cable flap made of die-cast aluminium with a powder-coated finish and available in three size variants: Port 120, Port 180 and Port 260.



Port 120



Port 180



Port 260

Depending on the configuration, Port has one or two independent electrification modules and provides quick desktop access to electrification. Additional screw attachment points facilitate the connection of accessories such as lamps and monitors.

The individual modules can be equipped separately as needed. The power modules come with a 20 cm cable fitted with a GST18 plug connector.



Power



Data (2x RJ45)



USB charger A/C (rated power output A: 18 watts, C: 18 watts and combined: 15 watts)



USB charger C (rated power output: 20 watts)



RJ45 (1x) with HDMI (1x)



USB (2x)



VGA with 3,5 mm jack



Cable holder

Colour variants

Port is available in 3 variants:



Port in polished aluminium with flaps in basic dark



Port powder-coated in basic dark with flaps in basic dark



Port power-coated in soft light with flaps in soft light



Additional screw attachment points facilitate the connection of accessories such as lamps and monitors.



The Port 120 cable flap has a flap for electrification modules and a screw attachment point for accessories such as lamps or monitor arms.

Port 120 is the smallest version and particularly suited to temporary work settings or compact meeting configurations.

Applications

Port 120 (standard)

Alcove Work / Alcove Work Plus	Alcove Plus Desk
•	•
Possible use with other products on request. Please contact your Vitra representative.	



The Port 180 cable flap has two independent flaps for electrification modules and a screw attachment point for accessories such as lamps or monitor arms. The medium variant Port 180 is especially suited for work or meeting situations.

Applications

Port 180 (standard)

Joyn 2 Plattform Meet / Joyn 2 Meet	Tyde 2 Meeting	Alcove Cabin	Alcove Plus Desk
•	•	•	•

Possible use with other products on request. Please contact your Vitra representative.



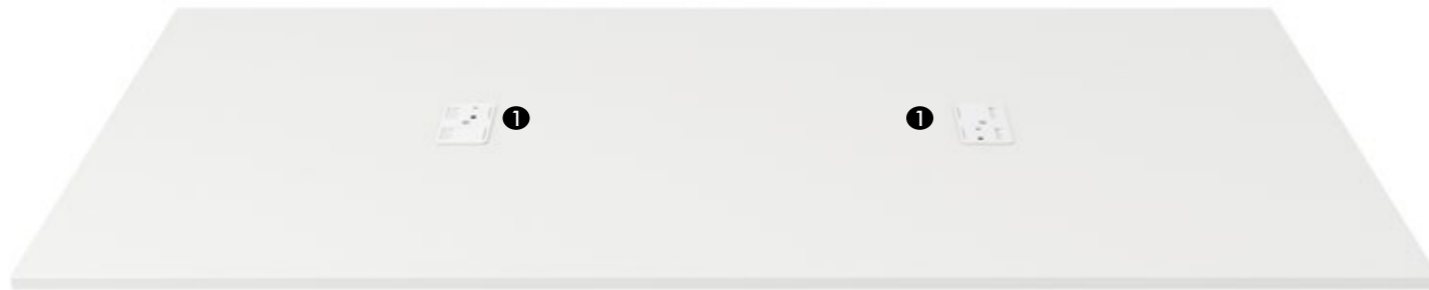
The Port 260 cable flap has two independent flaps for electrification modules and two external screw attachment points for accessories such as lamps or monitor arms. In addition, a central cable outlet makes it easier to route cables to the desktop. As the largest version, Port 260 is ideal for workstations using multiple electrical devices often installed on a permanent basis.

Applications

Port 260

Possible use with other products on request. Please contact your Vitra representative.
--

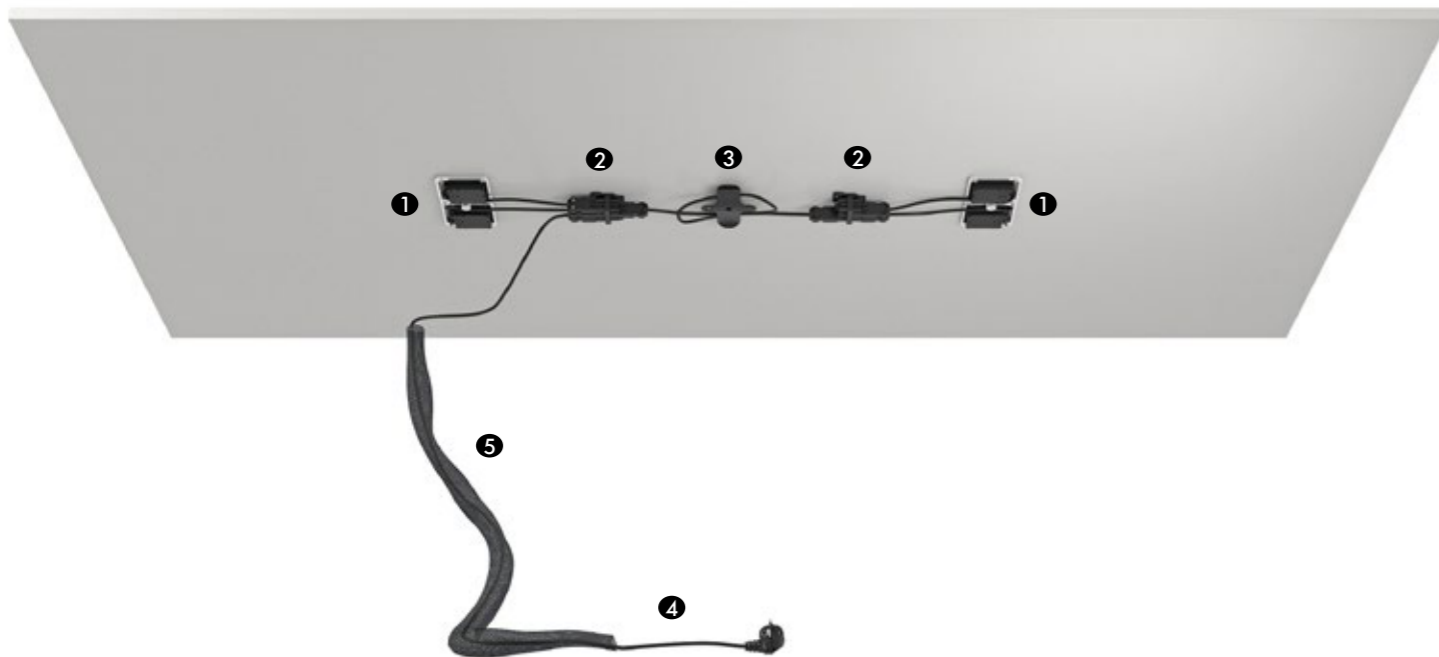
Port – all components at a glance



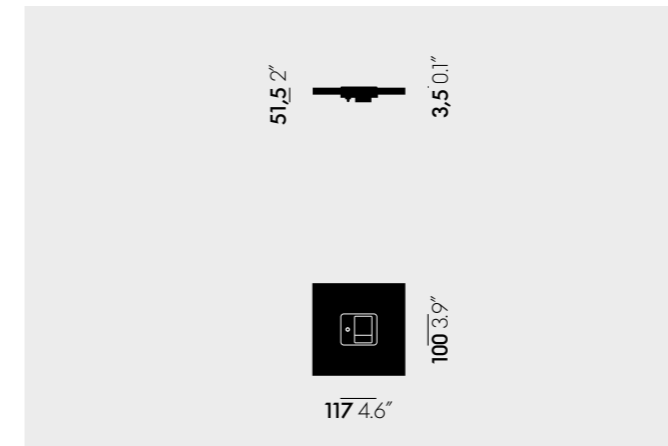
Electrification example – 2 x Port

- | | | | |
|---|--------------------|---|------------|
| 1 | Port 180 | 4 | Feed cable |
| 2 | Distribution block | 5 | Cable net |
| 3 | Cable holder | | |

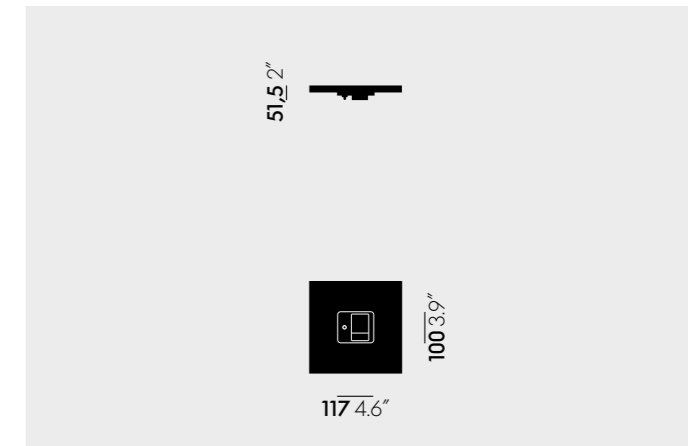
For country-specific electrification versions, please see page 60 onwards.



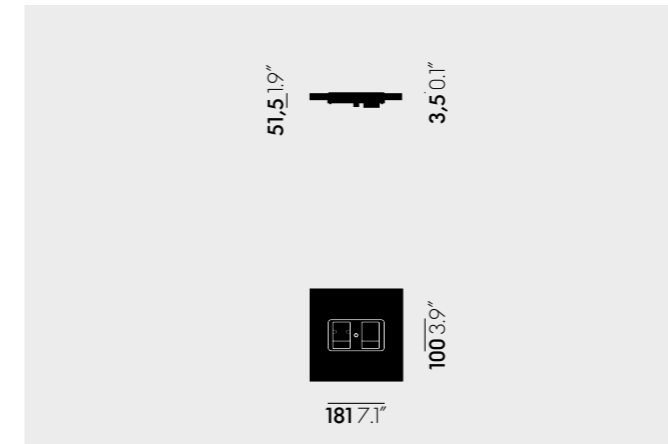
Dimensions



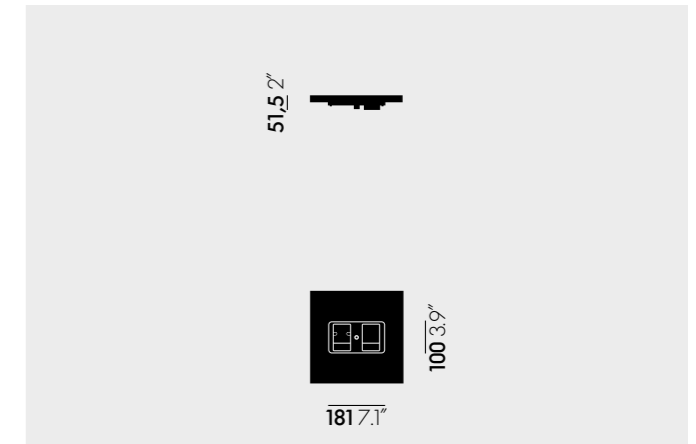
Port 120
For use on table tops measuring 22–25 mm in thickness.



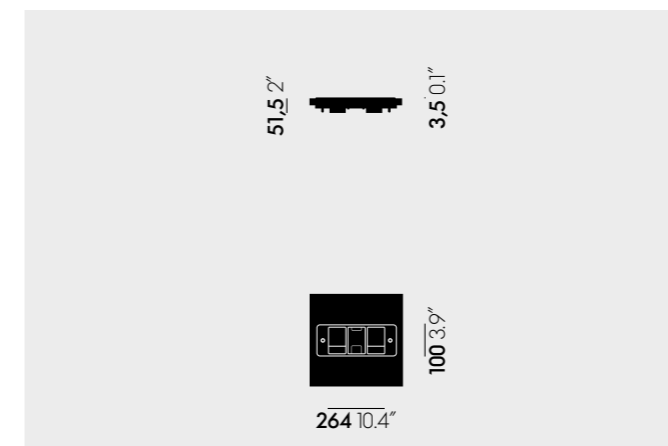
Port 120
For use on powder-coated table tops measuring 25 mm in thickness.



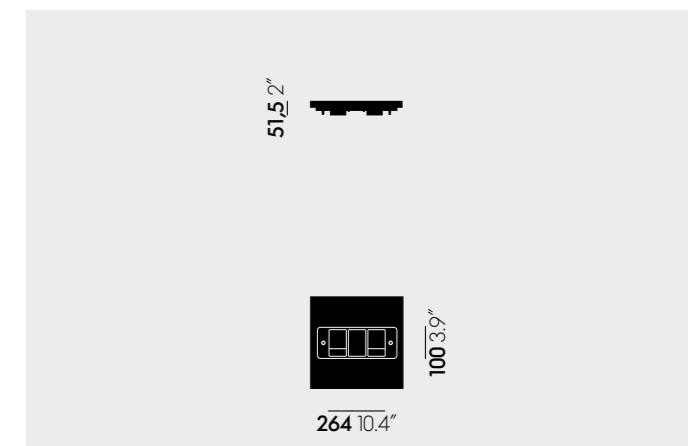
Port 180
For use on table tops measuring 22–25 mm in thickness.



Port 180
For use on powder-coated table tops measuring 25 mm in thickness.



Port 260
For use on table tops measuring 22–25 mm in thickness.



Port 260
For use on powder-coated table tops measuring 25 mm in thickness.



Punto Wireless Charger is an unobtrusive round electrification solution for the wireless charging of mobile devices. A trim ring in polished aluminium is mounted flush with the table top, while a soft rubber ring supports the device on the charger. The Punto Wireless Charger is Qi-certified with a voltage of 5 volts at 1.5 amperes (rated power output 7.5 watts) for charging all Qi-compatible devices. Comes with a 200 cm USB cable incl. mains unit. Punto Wireless Charger fits into an 80 mm cut-out.

Variants



Punto Wireless Charger in polished aluminium

Punto Wireless Charger					
Joyn 2 Plattform Meet / Joyn 2 Meet	Tyde 2 Meeting	Eames Segmented Tables	MedaMorph	Alcove Work / Alcove Work Plus	Soft Work shelf
•	•	•	•	•	•
Possible use with other products on request. Please contact your Vitra representative					

Punto Wireless Charger – all components at a glance



Dimensions



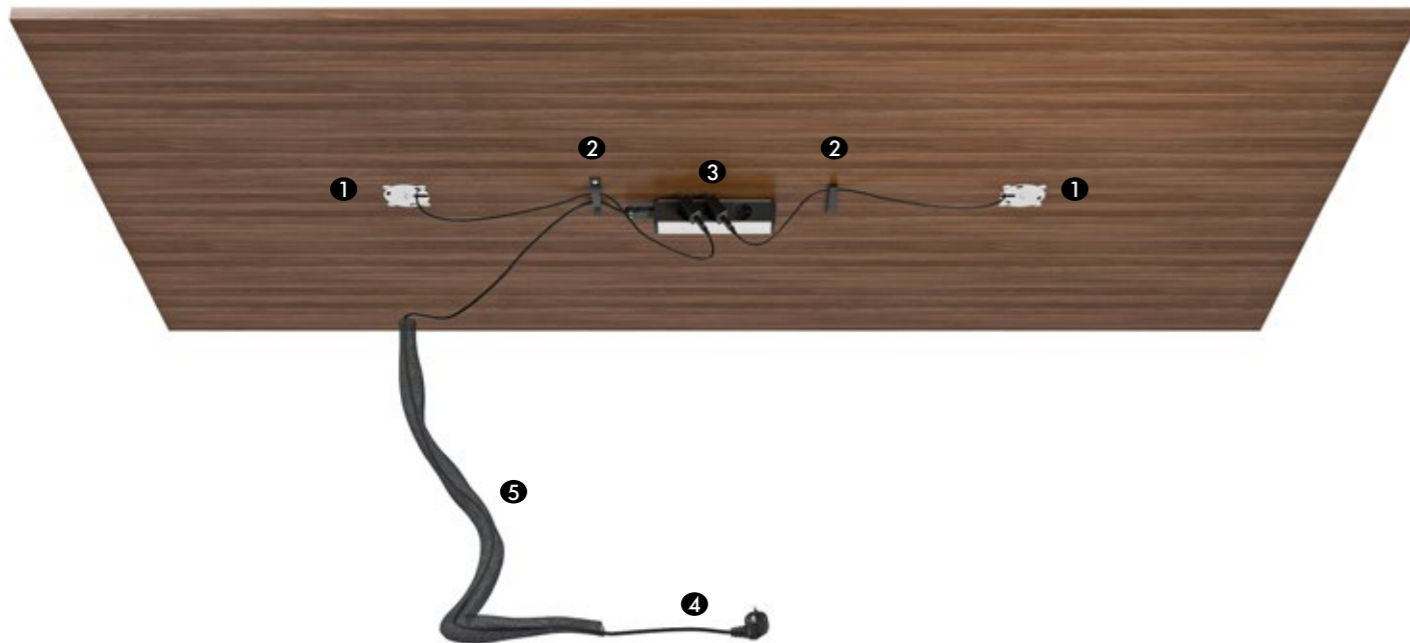
Punto Wireless Charger

For use on table tops measuring 19–33 mm in thickness.

Electrification example – 2x Punto Wireless Charger

- | | | | |
|---|-----------------------------------|---|------------|
| 1 | 200 cm USB cable incl. mains unit | 4 | Feed cable |
| 2 | Cable clip | 5 | Cable net |
| 3 | Socket | | |

For country-specific electrification versions, please see page 60 onwards.





Punto High is a round electrification solution made of black plastic and contains a power socket and USB A/C charger (rated power output A 12.5 watts, C 15 watts and combined 25 watts). Supplied with an 80 cm cable equipped with a GST18 plug connector. Feed cables and connecting cables must be ordered separately. Punto High fits into an 80 mm cut-out.

Variants



Punto High in black

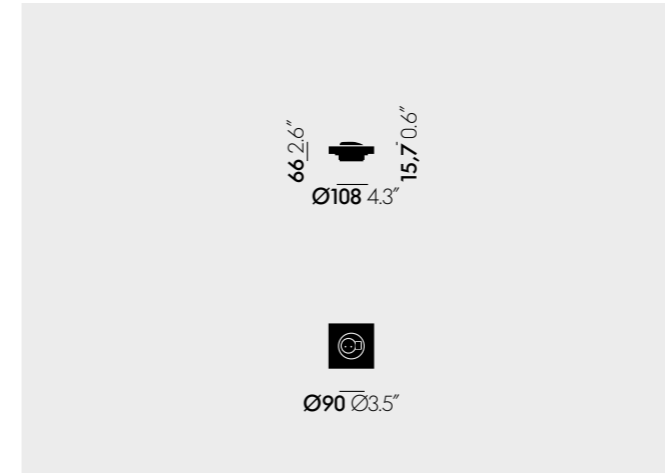
Punto High (standard)

Joyn 2 Plattform Meet / Joyn 2 Meet	Tyde 2 Meeting	Eames Segmented Tables	MedaMorph
•	•	•	•
Possible use with other products on request. Please contact your Vitra representative.			

Punto High – all components at a glance



Dimensions



Punto High

For use on table tops measuring 10–40 mm in thickness.

Electrification example – 2x Punto High

- | | | | |
|---|---|---|--------------------|
| 1 | Punto High
(incl. 100 cm lead cable with GST18 plug connector) | 3 | Distribution block |
| 2 | Kabelhalter | 4 | Feed cable |
| | | 5 | Cable net |

For country-specific electrification versions, please see page 60 onwards.





Evoline Circle 80 in black or white plastic is a simple round electrification solution featuring a power socket, USB A/C charger (rated power output A 10,5 watts, C 10,5 watts and combined 21 watts) and cable outlet. Up to 6 cables can be routed to the desktop in predefined positions via the cover. Evoline Circle 80 is supplied with a 100 cm cable equipped with a GST18 connector. Feed cables and connecting cables must be ordered separately. Evoline Circle 80 fits into an 80 mm cut-out.

Variants



Evoline Circle 80 in black



Evoline Circle 80 in white

Applications

Evoline Circle 80 (standard)

Joyn 2 Plattform Meet / Joyn 2 Meet	Tyde 2 Meeting	Eames Segmented Tables	MedaMorph
•	•	•	•
Possible use with other products on request. Please contact your Vitra representative.			

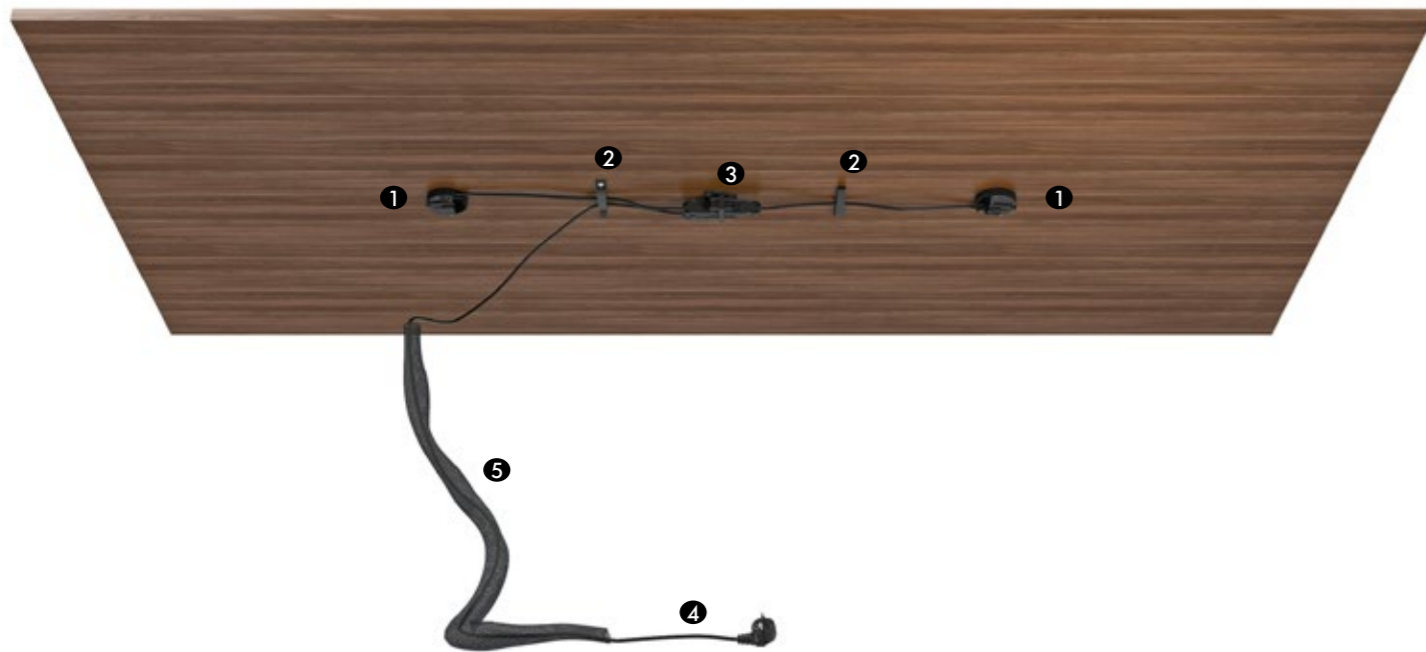
Evoline Circle 80 – all components at a glance



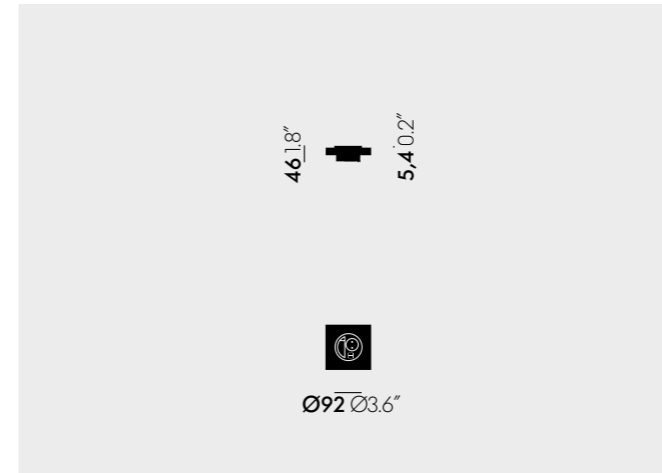
Electrification example – 2x Evoline Circle 80

- | | | | |
|---|--|---|--------------------|
| 1 | Evoline Circle 80
(incl. 100 cm lead cable with GST18 plug connector) | 3 | Distribution block |
| 2 | Cable clip | 4 | Feed cable |
| | | 5 | Cable net |

For country-specific electrification versions, please see page 60 onwards.



Dimensions



Evoline Circle 80

For use on table tops measuring 10–40 mm in thickness.



The cable outlet is a rotating circular outlet in two parts, made of ABS plastic in soft light or basic dark, which allows cables to be routed to the desktop. The cable outlet fits into an 80 mm cut-out.

Variants



Cable outlet in basic dark



Cable outlet in soft light

Applications

Cable outlet 80 (standard)

Joyn 2 Platform Meet / Joyn 2 Meet	Tyde 2 Workstation	Tyde 2 Meeting	Eames Segmented Tables	MedaMorph
•	•	•	•	•
Possible use with other products on request. Please contact your Vitra representative.				

Cable outlet – all components at a glance



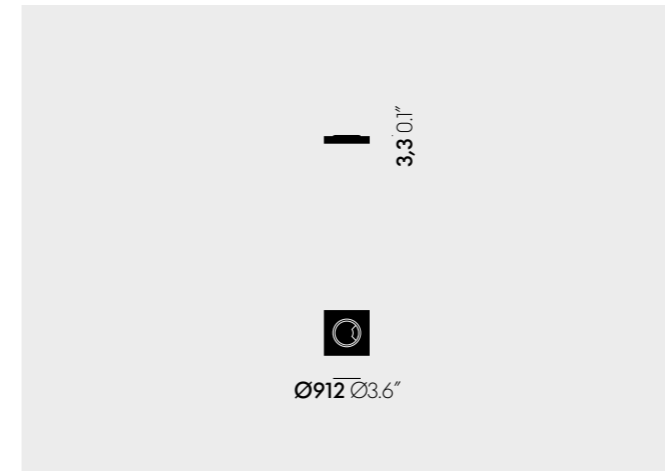
Electrification example – 2x Cable outlet

- 1 Cable outlet
- 2 Cable net
- 3 Customer-specific cable (e.g. HDMI)

For country-specific electrification versions, please see page 60 onwards.



Dimensions



Cable outlet

For use on table tops measuring 21–40 mm in thickness.

Desktop-mounted electrification



Tens Desk 2



Tens Primo 2



Ampi



Ampi is an attractively designed wireless charger (rated power output 10 W) for smartphones etc. with a pull-out drawer that opens to reveal two power sockets and two USB-A connections (rated power output 10.5 watts, combined 21 watts) as well as a USB-C connection (rated power output 60 watts). When using multiple connections, the maximum rated power output of Ampy is 60 watts.

Mounted on a non-slip base, Ampy is made of polycarbonate in a choice of colours and comes with a 150 cm feed cable that attaches to the centre of the back panel. For further cabling beneath the table, an optional 50 cm adapter cable with a GST18 connector can additionally be used.

Variants



Ampy in soft grey

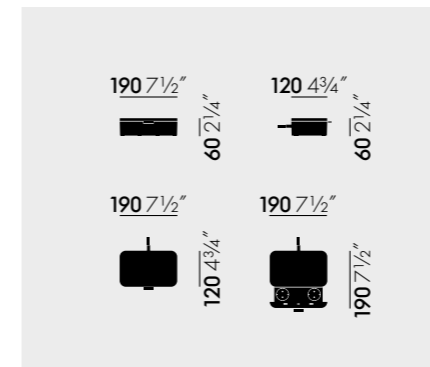


Ampy in basic dark

Ampy

Can be used with any table system

Dimensions



Accessories



Adapter cable

Adapter cable with GST18 plug connector, length 50 cm.
For connection in combination with an under-table power outlet.



The desktop power outlet unit Tens Primo 2 has 3 sockets and can optionally be equipped with power connections or USB A/C chargers (rated power output A: 18 watts, C: 22 watts and combined: 17.5 watts). The unit is attached directly to the edge of the table top with a clamping bracket and can be used for table tops from 19 to 32 mm in thickness. Tens Primo 2 is supplied with a 100 cm cable fitted with a GST18 connector that attaches on the left-hand side. Feed cables, connecting cables and clamping brackets must be ordered separately.

Variants



Tens Primo 2, in deep black

Tens Primo 2

Can be used with any table system on a table top from 19 to 32 mm in thickness

Versions



Tens Primo 2 - 3x power



Tens Primo 2 - 2x power, 1x USB A/C



The Tens Desk 2 desktop power outlet unit made of aluminium has 4 or 6 sockets and can be optionally equipped with power or USB A/C chargers (rated power output A: 18 watts, C: 22 watts and combined: 17.5 watts). The unit is attached directly to the edge of the table top with a clamping bracket and can be used for table tops from 10 to 40 mm in thickness.

Tens Desk 2 is supplied with a 20 cm cable fitted with a GST18 connector that attaches at the back. Feed cables and connecting cables must be ordered separately.

Variants



Tens Desk 2 in black



Tens Desk 2 in white

Tens Desk 2

Can be used with any table system on a table top from 10 to 40 mm in thickness

Versions



Tens Desk 2, 2x power, 1x USB (2 ports)



Tens Desk 2, 4x power



Tens Desk 2, 4x power, 1x USB (2 ports)



Tens Desk 2, 6x power

Accessories

vitra.

vitra.

Distribution block



Distribution block
(Switzerland)



Cable clips

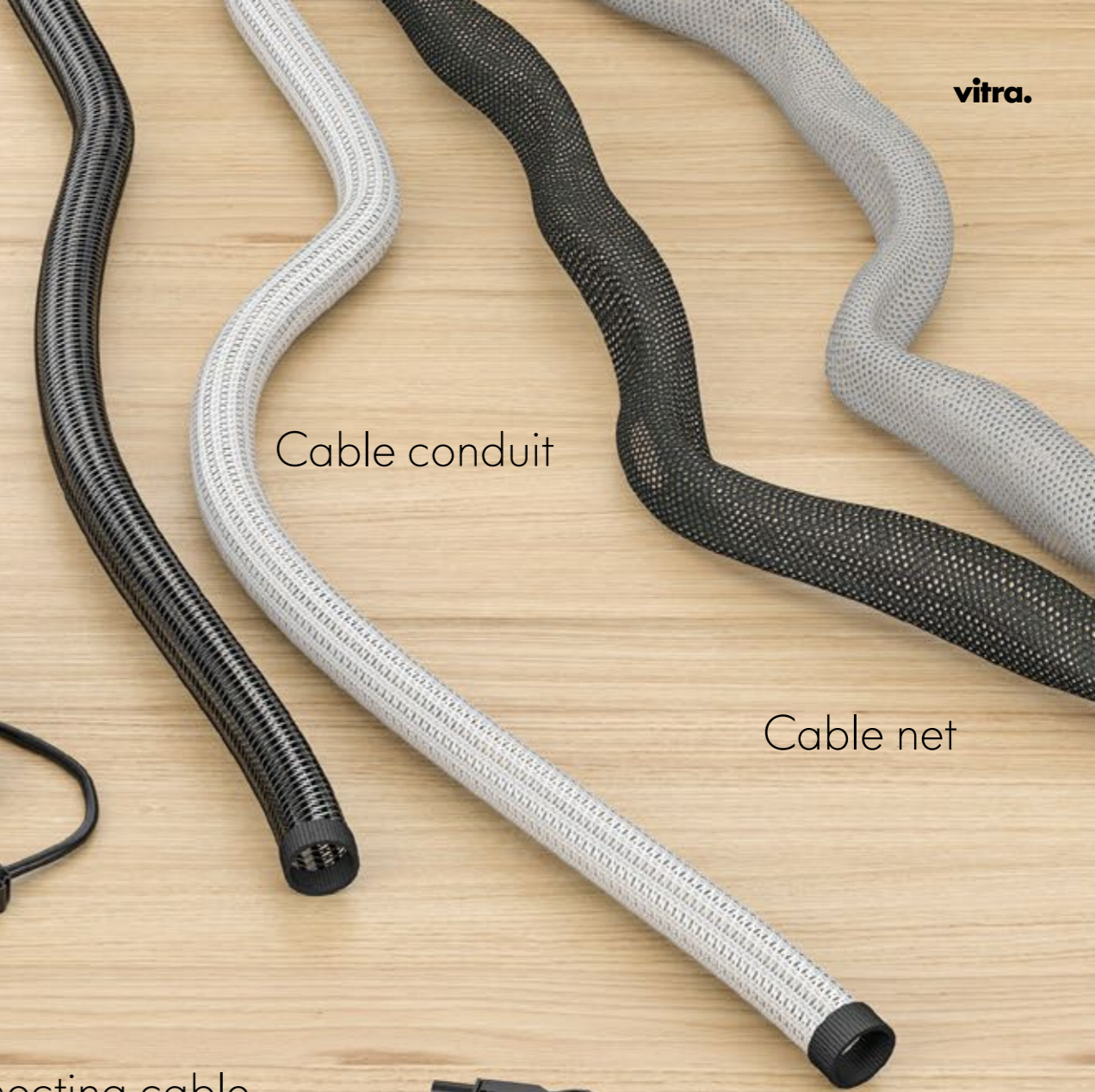


Cable holders

Connecting cable
(GST18)



Cable conduit



Cable net

Feed cable



Feed cable

vitra.



300 cm feed cable, delivers power from the wall socket via GSTi8 connector to the socket, either directly or via connecting cable and distribution block. Diameter varies depending on the country variant.

Connecting cable



Connecting cables are available in various lengths with a GSTi8 plug connector. They are used to link the feed cable, outlet strips and, if present, the distribution block – to ensure continuous electrification. Diameter varies depending on the country variant.

Distribution block

vitra.



Made of robust plastic, the distribution block supplies power with one input and five outputs for GSTi8 connections and attaches to the desktop with a mounting plate. The GSTi8 sockets are delivered with protective covers, which can be removed with standard tools prior to use. Dimensions: H 39 x W 57 x D 62 mm

Distribution block Switzerland



In Switzerland, the distribution block is wired directly to the mains lead and includes an integrated 10A thermal fuse. The distribution block has five GSTi8 connections. Dimensions: H 52 x W 168 x D 44 mm

Cable net

vitra.



Made of polyester, the cable net is 150 cm in length and has 4 zip fasteners. It can hold up to 6 cables and is attached with a cord, e.g. to the cable basket.



Variants



Cable net in basic dark

Cable net in grey

Cable conduit

vitra.



The flexible, self-retracting cable conduit made of polyethylene is attached to the cable basket. Holding up to 6 cables, it measures 30 to 50 mm in diameter and 125 cm in length and attaches with hook-and-eye fasteners, e.g. to the cable basket.



Variants



Cable conduit in black

Cable conduit in white

Set of cable holders

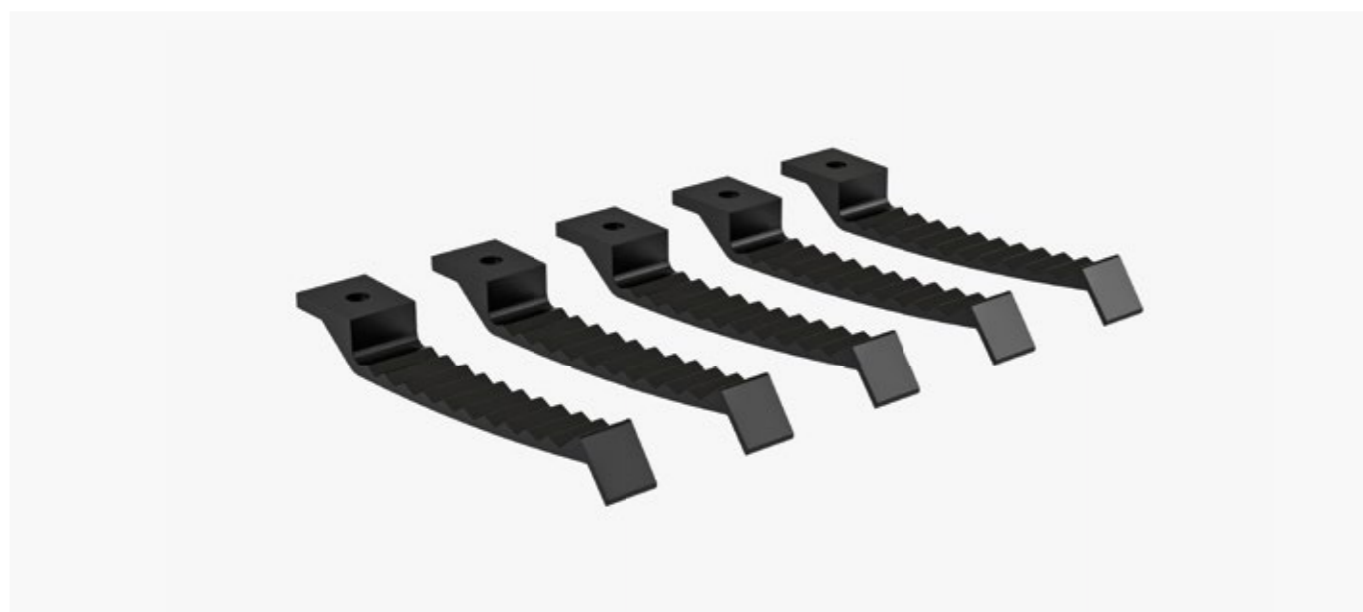
vitra.

vitra.



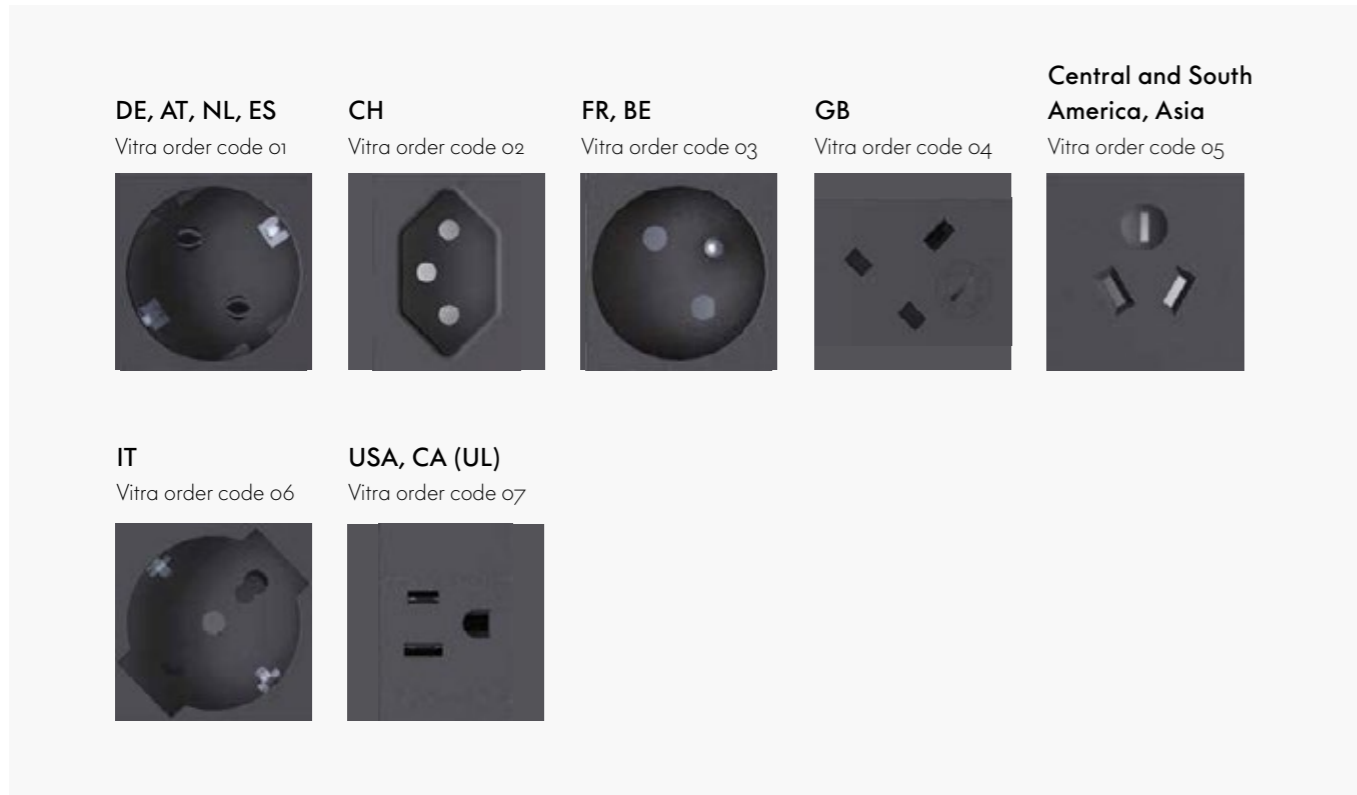
The cable holder in black plastic is used to route cables and gather excess cable length beneath the table top. It is attached directly to the table top (minimum thickness 22 mm) with screws and serves to route up to 4 cables with no sagging. Each set contains 2 cable holders. Dimensions: H 22 x W 105 x L 150 mm.

Set of cable clips



The cable clips in robust grey plastic are used for the horizontal routing of cables beneath the table top. They are screwed directly to the table top (minimum thickness 22 mm) and help to route up to 6 cables with no sagging. Each set contains 5 cable clips. Dimensions: H 14 x W 19,5 x L 122 mm.

Vitra offers the following country-specific electrification versions:



The following table gives an overview of the country-specific specifications for the maximum use of power as well as USB A/C chargers.

Country variants	Vitra designation	Max. number of sockets	Max. number of USB chargers	Max. wattage
DE, AT, NL, ES	01	12	10	3600 W
CH	02	12	10	2300 W
FR, BE	03	10	10	3600 W
GB	04	3.5 A: 6 3.5 A: 5 5 A: 4 5 A: 3	3.5 A: 4 3.5 A: 5 - 8 5 A: 4 5 A: 5 - 8	3000 W
Central and South America, Asia	05	8		1875 W
IT	06	12	10	3600 W
USA, CA (UL)	07	8		1875 W

The total wattage is determined by multiplying the number of volts (voltage) by the amperes (current) – please note regional differences. In order not to exceed the permissible total power in watts, the wattage of all end devices must be checked and added together. When wiring sit-stand products, the electronic control system should also be factored into the calculation, e.g. Tyde 2: 175 W per workstation.

Vitra relies on the GST18 plug system for the electrification of its furniture systems. GST18 is accepted throughout Europe by recognised testing institutes. In addition, the GST18 system is compliant with IEC (International Electrotechnical Commission) parameters, so it also takes into account most non-European standards.

GST18 plug connectors are self-locking, using a clip, and can be released using a tool.

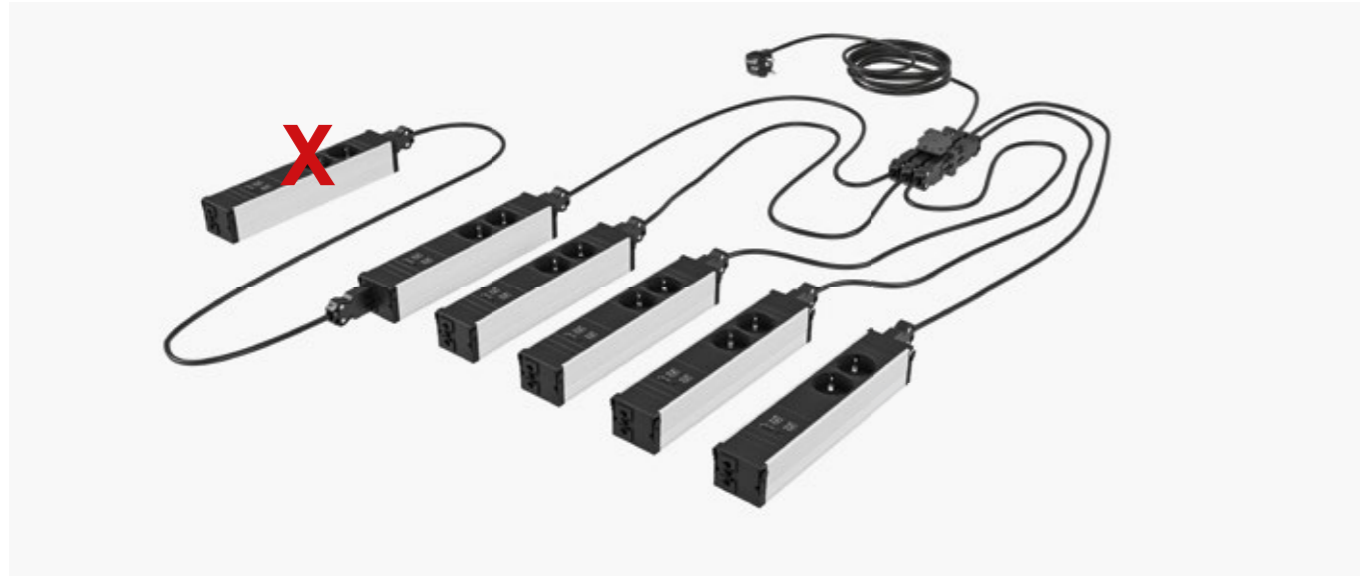


The GST 18 plug connection is an installation connector and electrification components should only be connected by qualified personnel. Please observe country-specific standards and regulations.

There are two options for the wiring of electrification components: parallel connection or series connection. Please observe country-specific standards and regulations as well as the overview on page 60 for correct wiring.

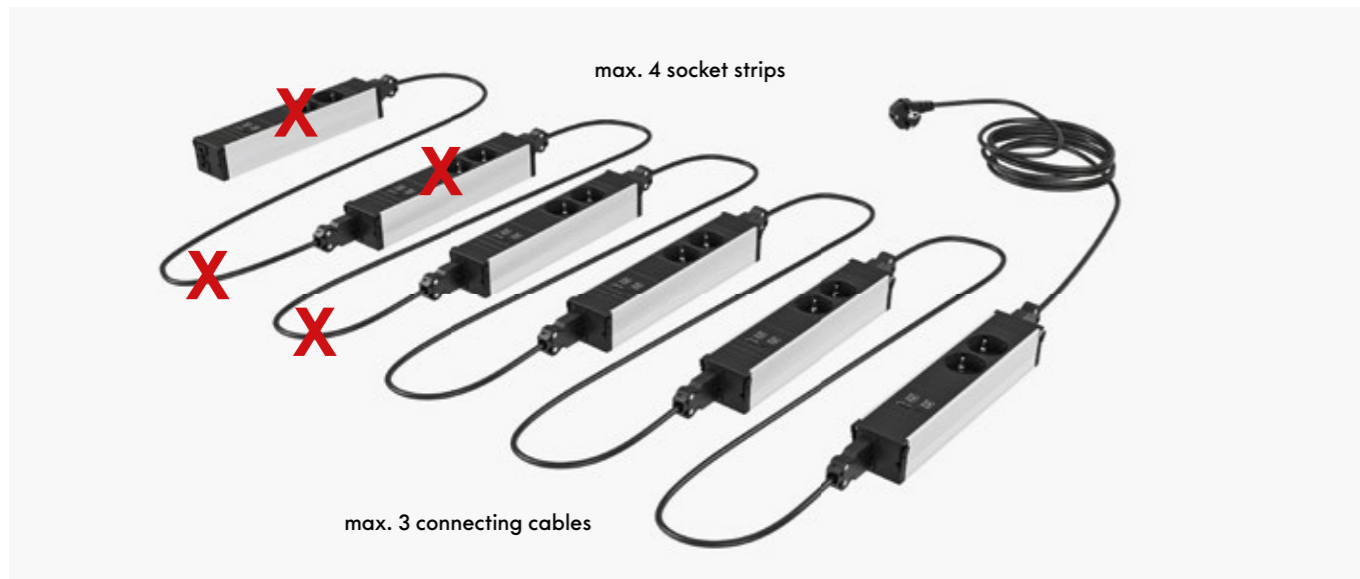
Parallel connection

With the parallel connection, the electrification solutions are routed to a distribution block via a GST18 plug connector. The mains lead is connected directly to the distribution block. The distribution block has one input and five outputs.



Series connection

With series connections, the electrification solutions are linked to one another in series via connecting cables fitted with GST18 connectors. The series connection begins with the mains lead, which is plugged directly into the wall socket.



One socket strip may not be connected to another socket strip using the mains plug.

Vitro adheres to the 'Electrical Installation in Office Furniture' guidelines, which serve as a basis for GS certification. The GS certificate for Vitro products includes not only the product itself but also its electronic components. With Vitro's furniture systems, complete electrification including cable routing from the wall socket to the power outlet at the workstation has always been an integral part of product development.

To avoid damage, cables are routed over rounded edges with a minimum radius of 2 mm, while sharp edges are covered with edge protectors. Sufficient space is provided for cable routing to prevent kinking.

Vitro's portfolio also includes accessories to prevent cables from sagging and to hold excess lengths.

